



WARDROBE AND CABINET CATALOG

2024

ABOUT US

Marie International Company was established in 2023 in Borås / Sweden. As a supplier of **Home, Office and Garden Furniture**, we are also preparing retail sales for our individual customers on the way we started as a wholesale furniture seller in Scandinavian and European Regions.

We will reflect the light of Marie to your life with our high quality and modern furnitures in accordance with International standards.

Material, size and color changes are made for our products in the images.

Let's choose the most suitable option for you together with our professional partners to supply project-based special products.

You can choose our furnitures for collective workplaces, hotels, banks and all kinds of living areas.

For information and request form, you can get information from our e-mail address.



CODE
MM.0518



CODE
MM.0518



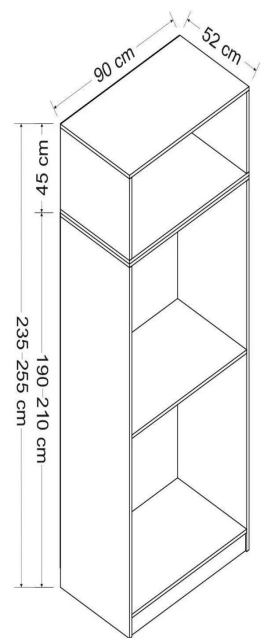
CODE
MM.0519



CODE
MM.0520

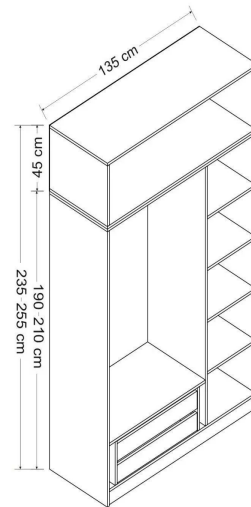


CODE
MM.0377



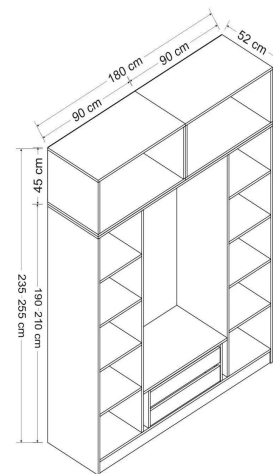






CODE
MM.0378



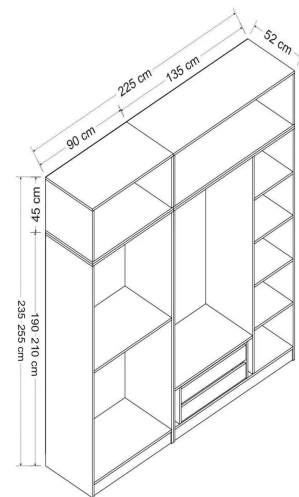


CODE
MM.0379





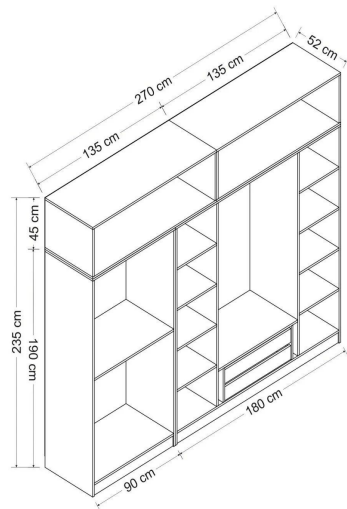
CODE
MM.0380





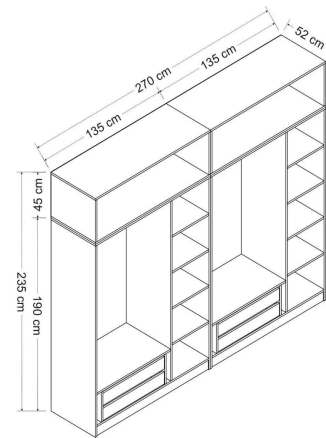


**CODE
MM.0381**





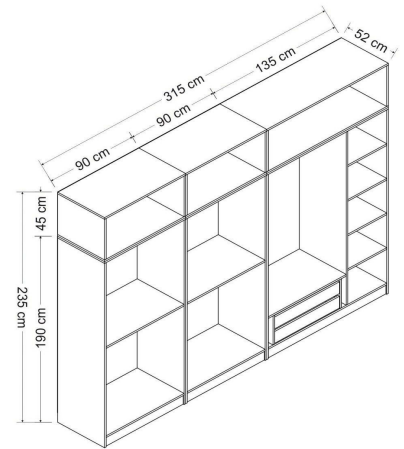
CODE
MM.0382





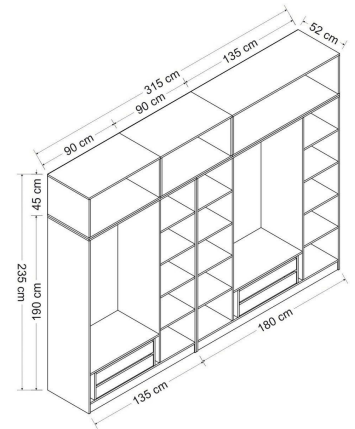


CODE
MM.0383





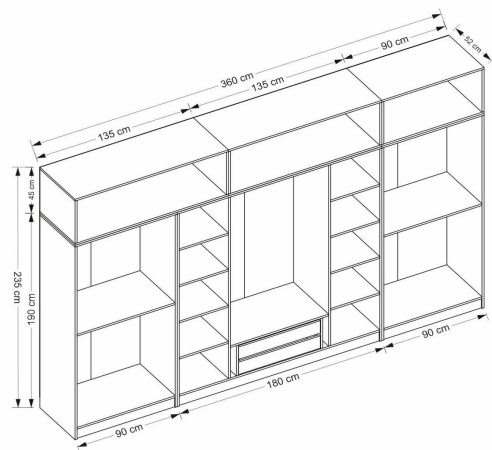
CODE
MM.0384





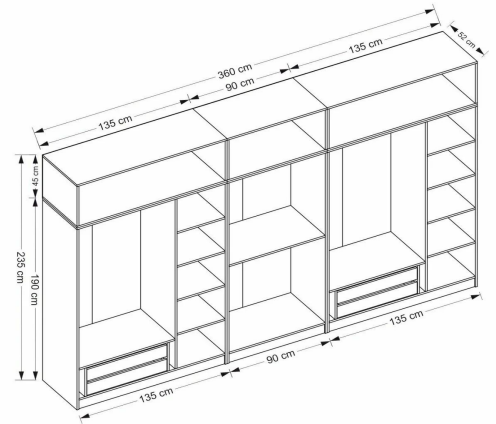


CODE
MM.0385





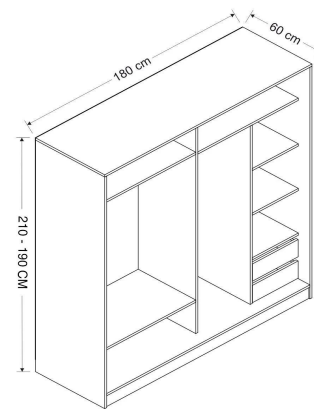
CODE
MM.0386







CODE
MM.0387

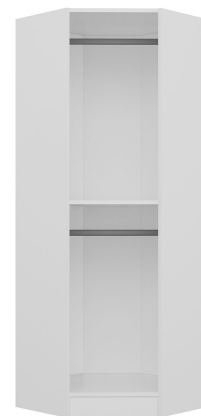






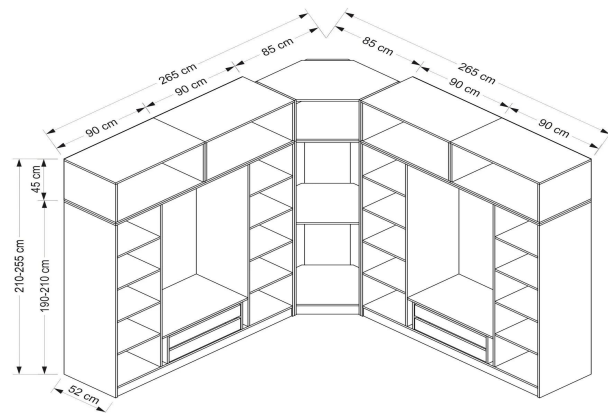


CODE
MM.0388





CODE
MM.0389

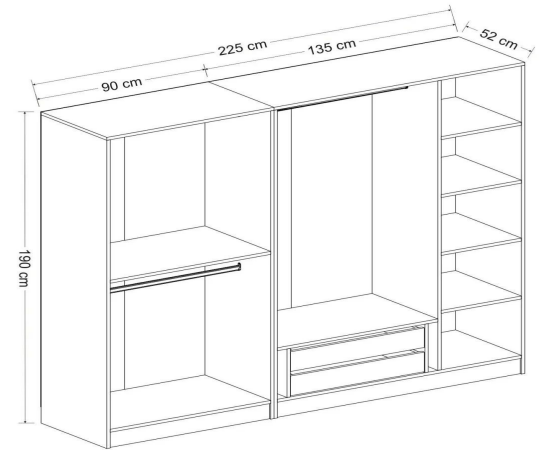


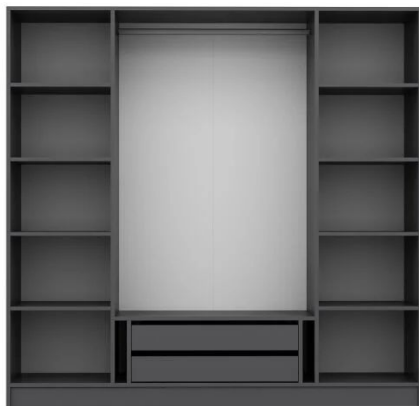






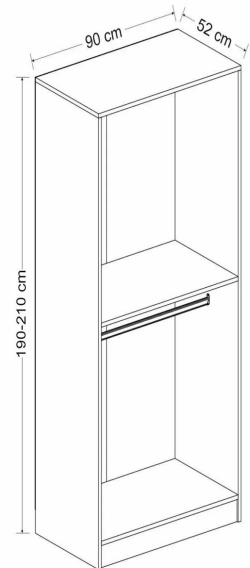
CODE
MM.0390





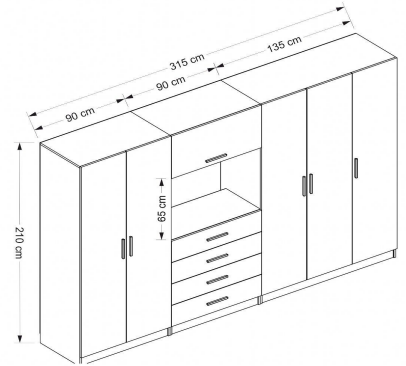


CODE
MM.0391



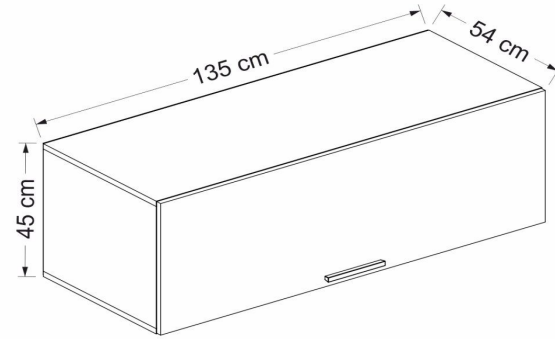


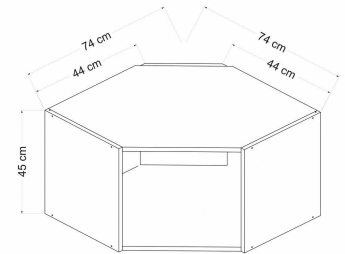
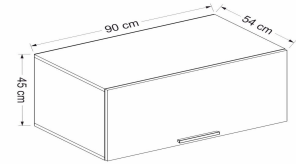
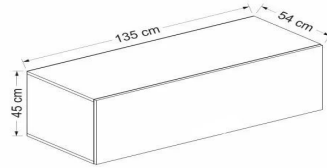
CODE
MM.0392

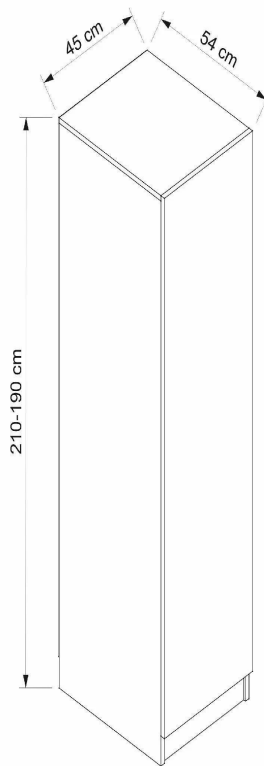




CODE
MM.0376

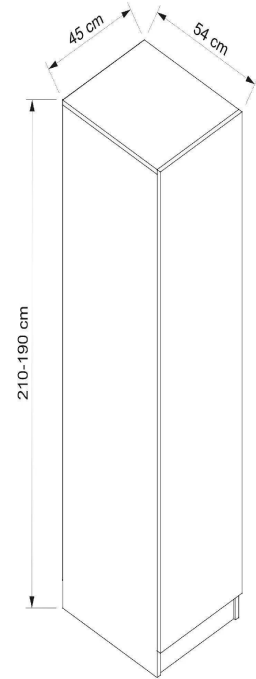






CODE
MM.0393





INFORMATION

Marie Möbler brand is a registered trademark belonging to **Marie International Company** and sales are made only by our company.

Website: www.mariemobler.se

E-mail: mariemobler@mariemobler.se

Telephone: +46737321903

Address: Lundaskogsvägen 25 F 50463 Borås / SWEDEN

Tax Office: Borås/Sweden

Org.Number: 197810076328

VAT Number: SE781007632801

Eori Number: SE7810076328