



TABLE AND CHAIRS CATALOG

2024

ABOUT US

Marie International Company was established in 2023 in Borås / Sweden. As a supplier of **Home, Office and Garden Furniture**, we are also preparing retail sales for our individual customers on the way we started as a wholesale furniture seller in Scandinavian and European Regions.

We will reflect the light of Marie to your life with our high quality and modern furnitures in accordance with International standards.

Material, size and color changes are made for our products in the images.

Let's choose the most suitable option for you together with our professional partners to supply project-based special products.

You can choose our furnitures for collective workplaces, hotels, banks and all kinds of living areas.

For information and request form, you can get information from our e-mail address.



CODEN

MM.0079



CODEN
MM.0080



CODEN

MM.0081



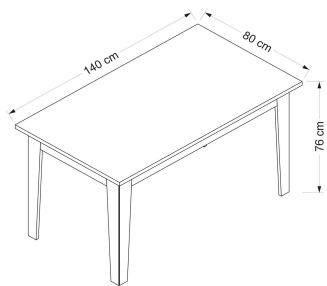
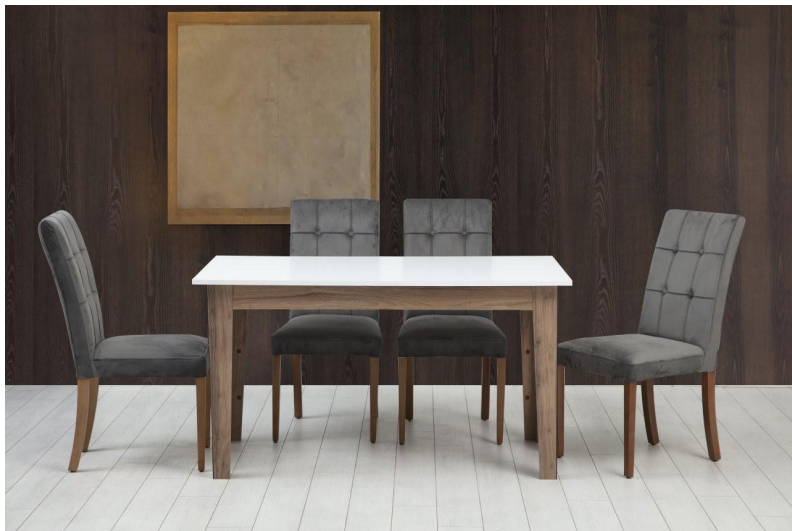
CODEN

MM.0082



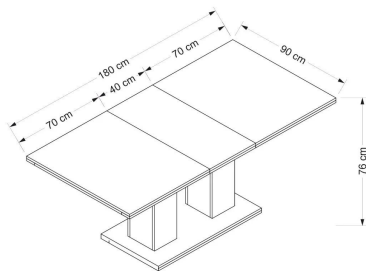
CODEN

MM.0237



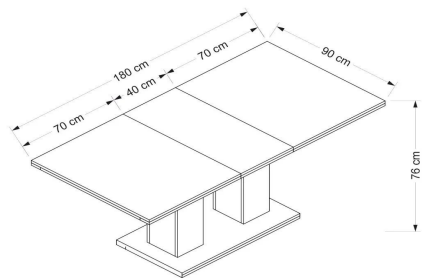
CODEN

MM.0238



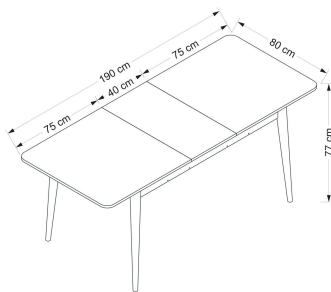
CODEN

MM.0239



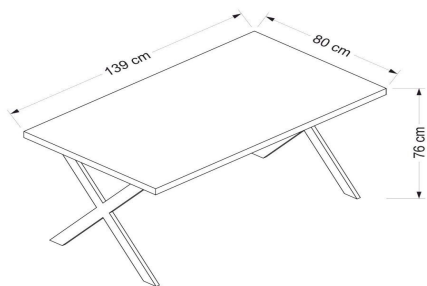
CODEN

MM.0240



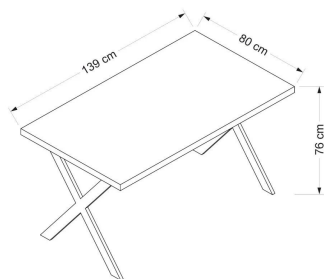
CODEN

MM.0241



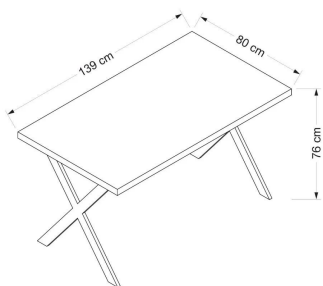
CODEN

MM.0242



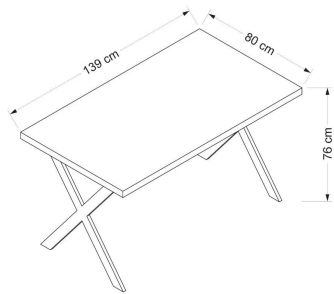
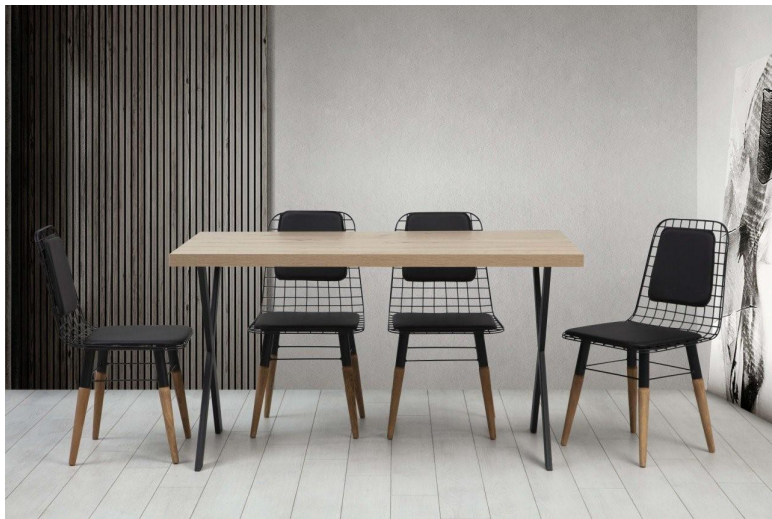
CODEN

MM.0243



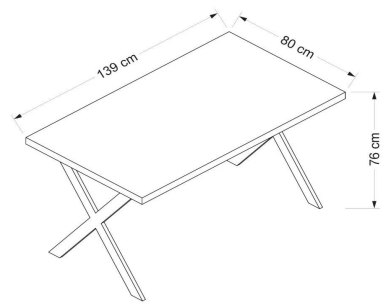
CODEN

MM.0244



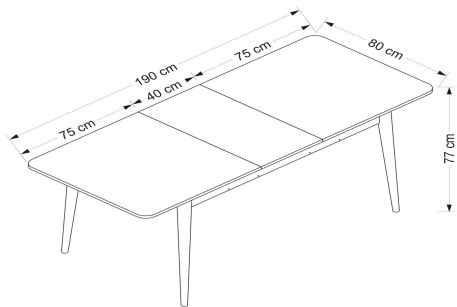
CODEN

MM.0245



CODEN

MM.0246



CODEN

MM.0247



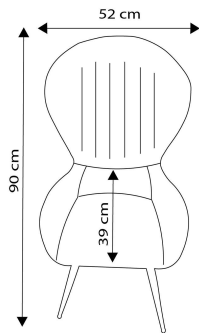
CODEN

MM.0248



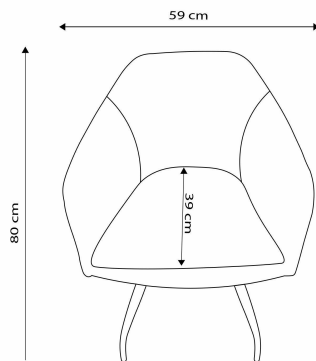
CODEN

MM.0249



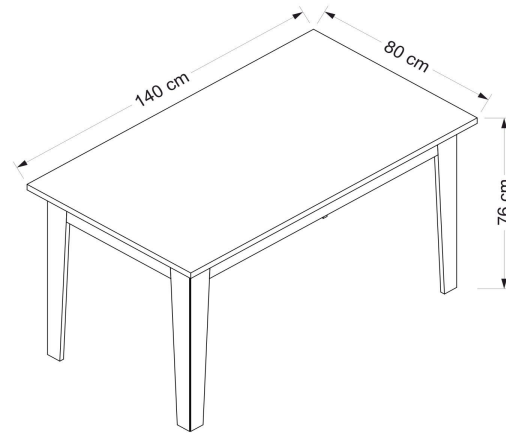
CODEN

MM.0250



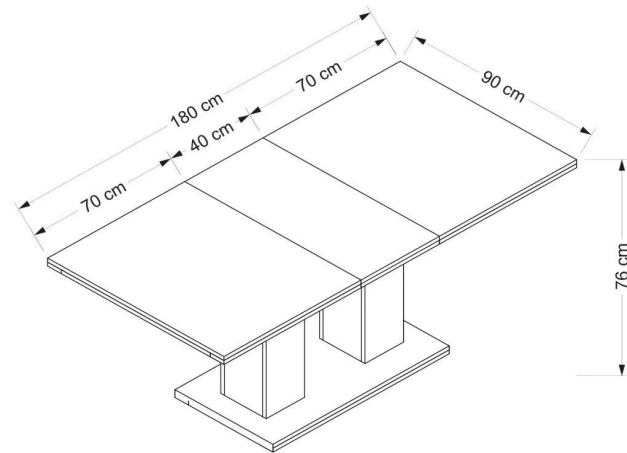
CODEN

MM.0251



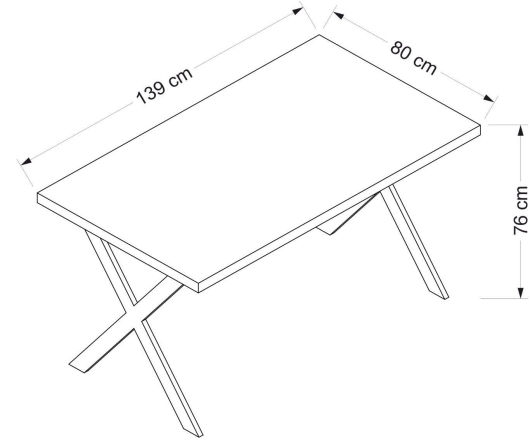
CODEN

MM.0252



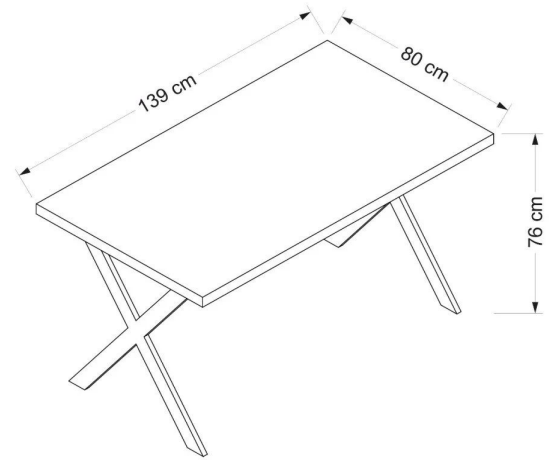
CODEN

MM.0253



CODEN

MM.0254



CODEN

MM.0255



CODEN

MM.0256



CODEN

MM.0257



CODEN

MM.0258



CODEN

MM.0259



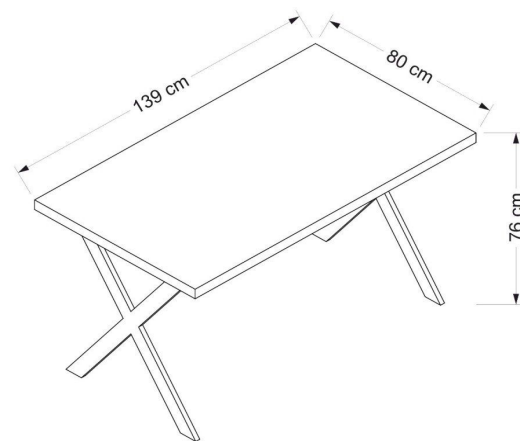
CODEN

MM.0260



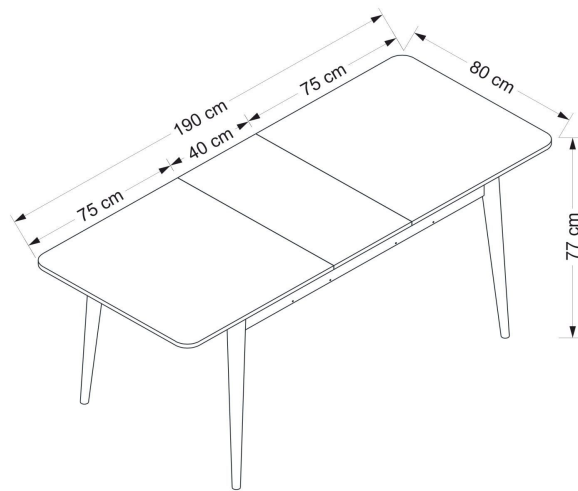
CODEN

MM.0261



CODEN

MM.0262



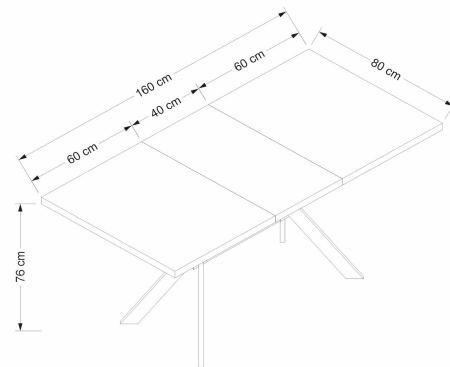
CODEN

MM.0263



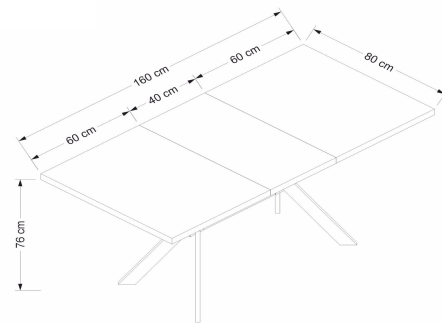
CODEN

MM.0264



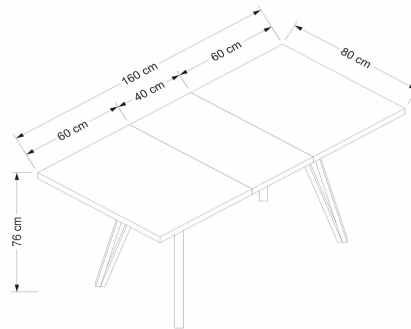
CODEN

MM.0291



CODEN

MM.0292



CODEN

MM.0293

INFORMATION

Marie Möbler brand is a registered trademark belonging to **Marie International Company** and sales are made only by our company.

Website: www.mariemobler.se

E-mail: mariemobler@mariemobler.se

Telephone: +46737321903

Address: Lundaskogsvägen 25 F 50463 Borås / SWEDEN

Tax Office: Borås/Sweden

Org.Number: 197810076328

VAT Number: SE781007632801

Eori Number: SE7810076328