



CLOAKROOM CATALOG

2024

ABOUT US

Marie International Company was established in 2023 in Borås / Sweden. As a supplier of **Home, Office and Garden Furniture**, we are also preparing retail sales for our individual customers on the way we started as a wholesale furniture seller in Scandinavian and European Regions.

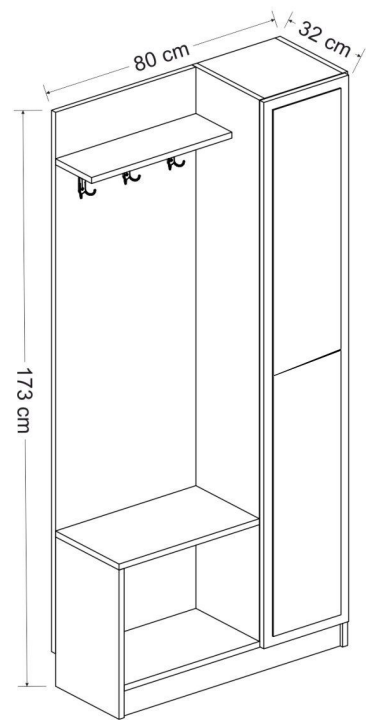
We will reflect the light of Marie to your life with our high quality and modern furnitures in accordance with International standards.

Material, size and color changes are made for our products in the images.

Let's choose the most suitable option for you together with our professional partners to supply project-based special products.

You can choose our furnitures for collective workplaces, hotels, banks and all kinds of living areas.

For information and request form, you can get information from our e-mail address.



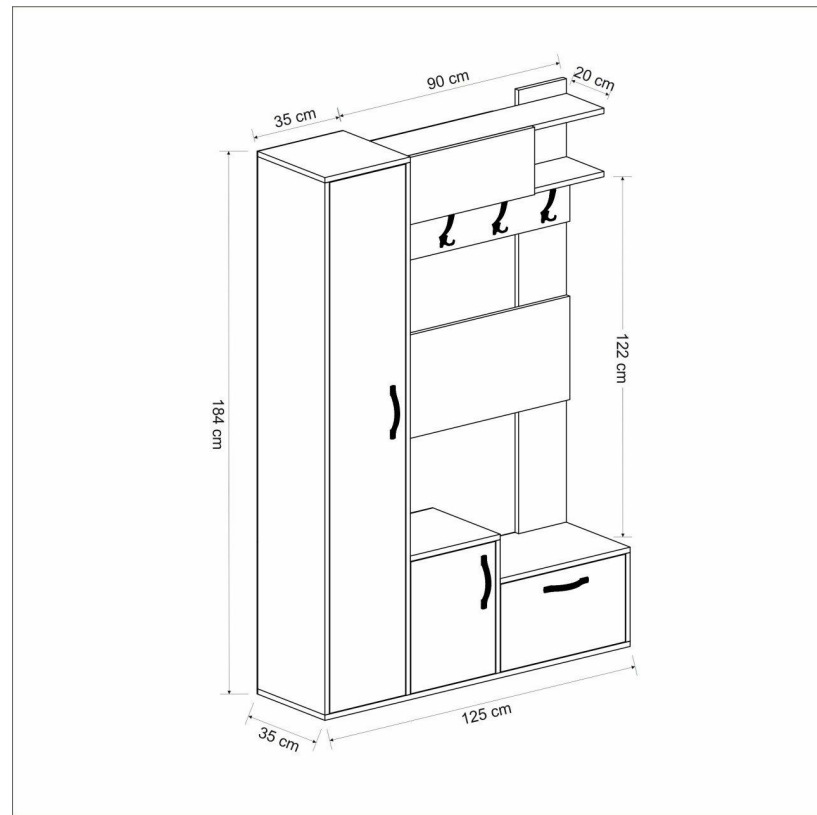
CODEN

MM.0190



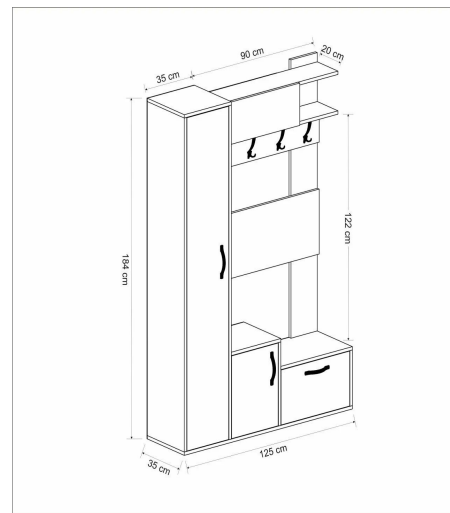
CODEN

MM.0191



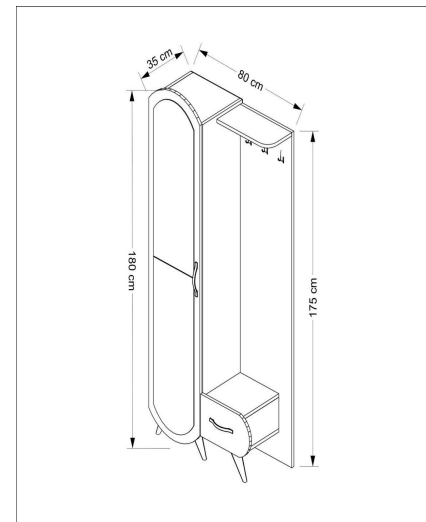
CODEN

MM.0192



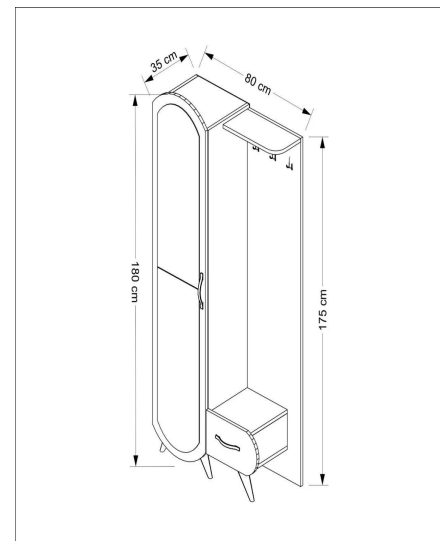
CODEN

MM.0193



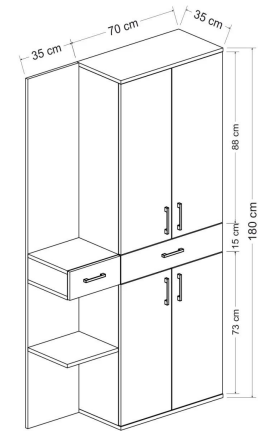
CODEN

MM.0194



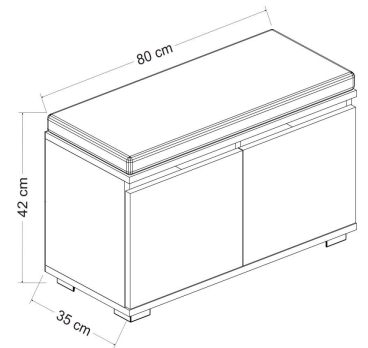
CODEN

MM.0195



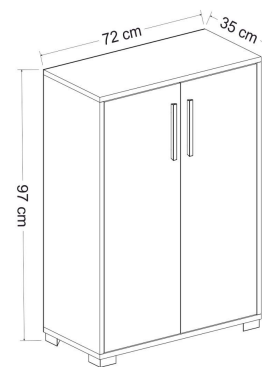
CODEN

MM.0196



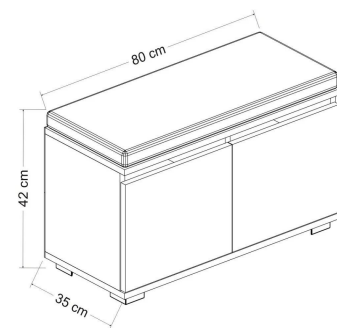
CODEN

MM.0197



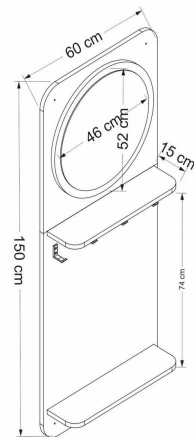
CODEN

MM.0198



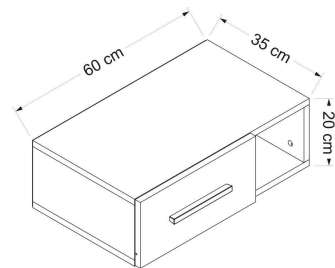
CODEN

MM.0199



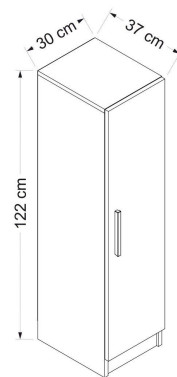
CODEN

MM.0200



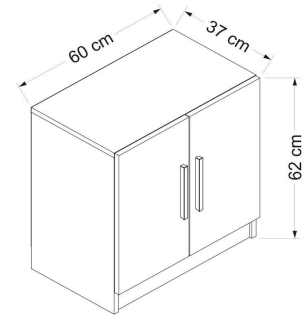
CODEN

MM.0201



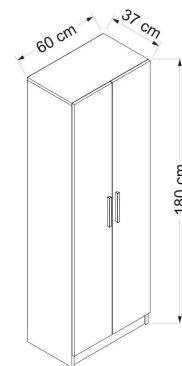
CODEN

MM.0202



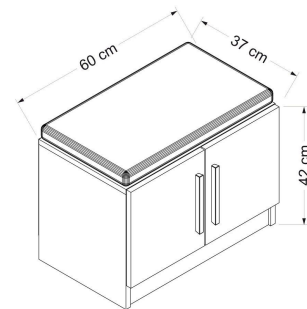
CODEN

MM.0203



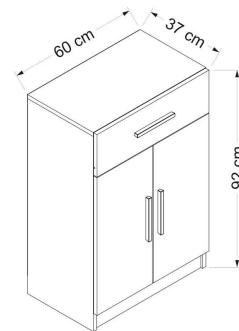
CODEN

MM.0204



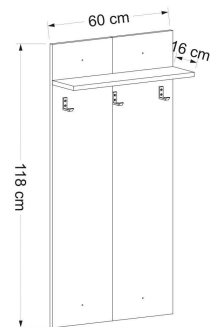
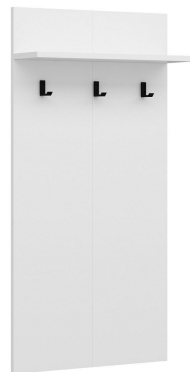
CODEN

MM.0205



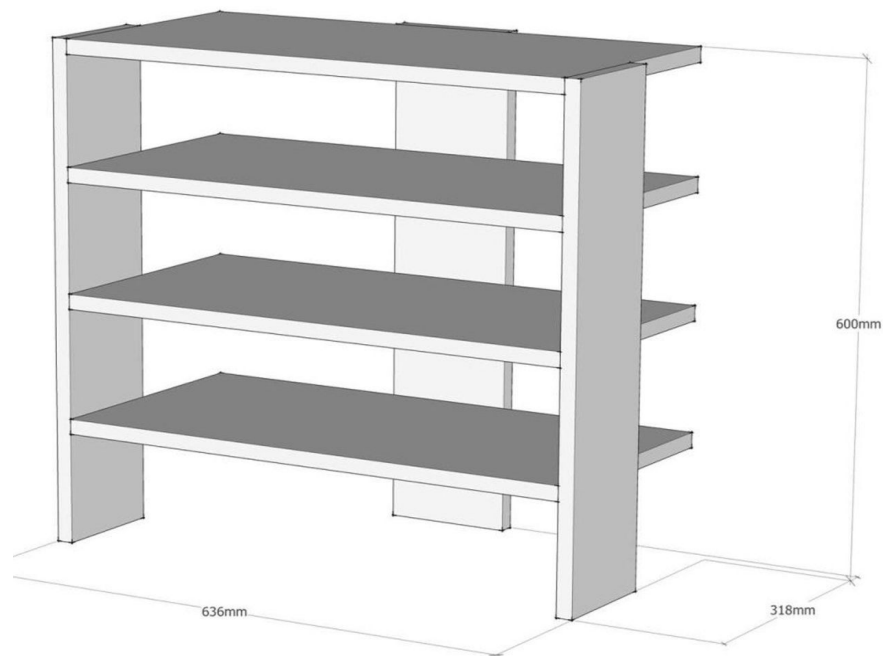
CODEN

MM.0206



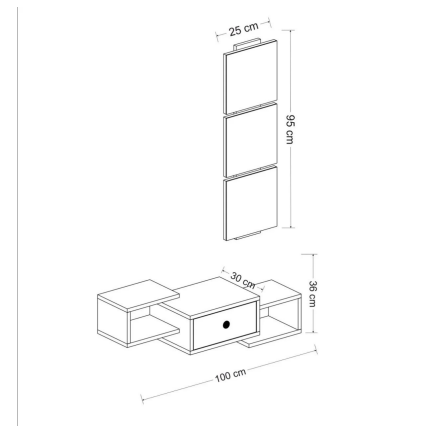
CODEN

MM.0207

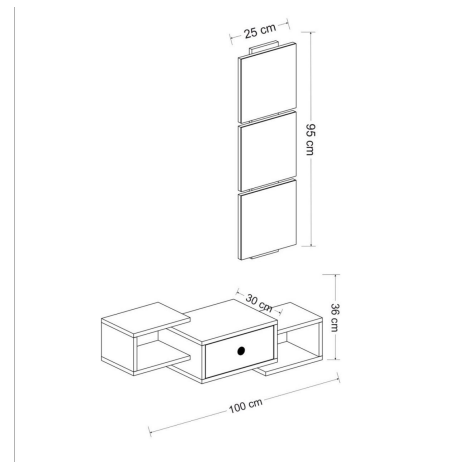


CODEN

MM.0208



CODEN
MM.0209



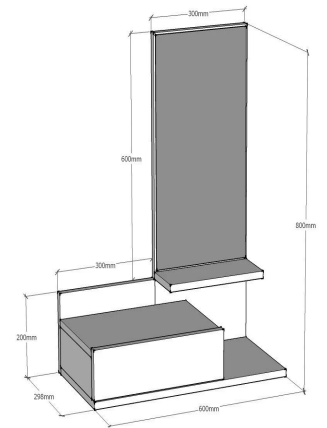
CODEN

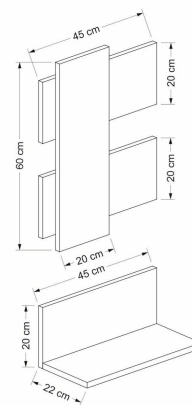
MM.0210



CODEN

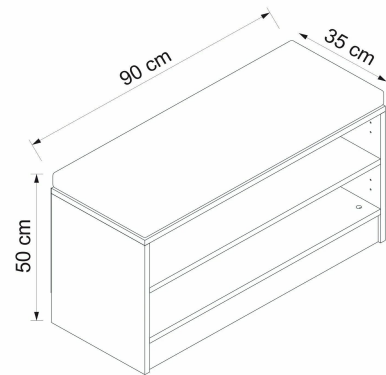
MM.0211





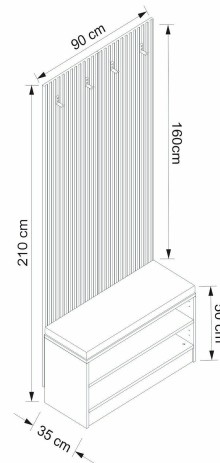
CODEN

MM.0273



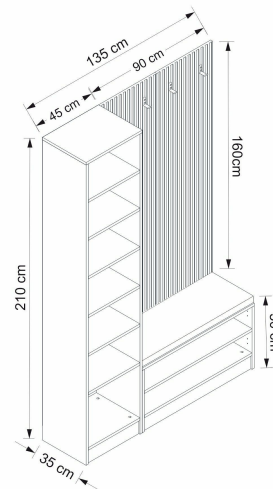
CODEN

MM.0212



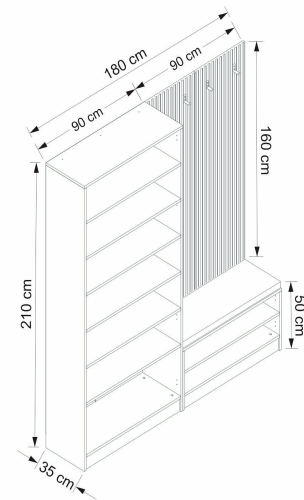
CODEN

MM.0213



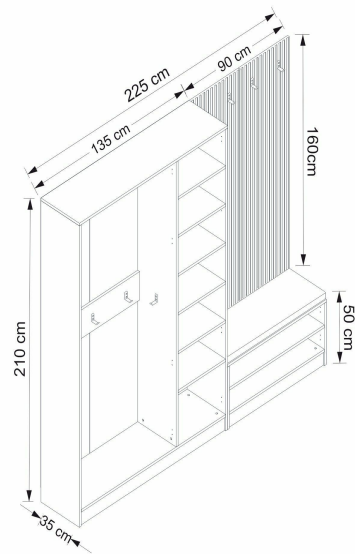
CODEN

MM.0214



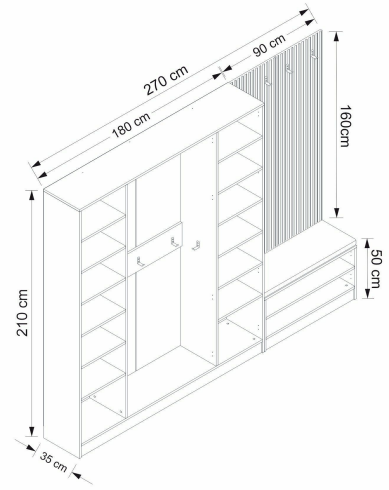
CODEN

MM.0215



CODEN

MM.0216



CODEN

MM.0217

INFORMATION

Marie Möbler brand is a registered trademark belonging to **Marie International Company** and sales are made only by our company.

Website: www.mariemobler.se

E-mail: mariemobler@mariemobler.se

Telephone: +46737321903

Address: Lundaskogsvägen 25 F 50463 Borås / SWEDEN

Tax Office: Borås/Sweden

Org.Number: 197810076328

VAT Number: SE781007632801

Eori Number: SE7810076328